

Fixture Type: _____

Catalog Number: _____

Project: _____

Location: _____

Tesla Pro 2"

30°- 45° Adjustable Trim Round

| Model | Beam | Color Temp & CRI | Lumens | CBCP | Finish |
|-------------|-------|------------------|--------|-------|------------------------------|
| HR2LEDT409P | F 40° | 827 2700K - 85 | 620 | 1243 | BN Brushed Nickel |
| | | 830 3000K - 85 | 630 | 1298 | CB Copper Bronze WT White |
| | | 835 3500K - 85 | 680 | 1376 | |
| | | 840 4000K - 85 | 695 | 1395 | |
| | | 927 2700K - 90 | 490 | 981.9 | |
| | | 930 3000K - 90 | 565 | 1104 | |
| | N 27° | 827 2700K - 85 | 635 | 2053 | |
| | | 830 3000K - 85 | 665 | 2151 | |
| | | 835 3500K - 85 | 715 | 2272 | |
| | | 840 4000K - 85 | 730 | 2294 | |
| | | 927 2700K - 90 | 515 | 1598 | |
| | | 930 3000K - 90 | 595 | 1849 | |
| | S 17° | 827 2700K - 85 | 465 | 1635 | CB Copper Bronze WT White |
| | | 830 3000K - 85 | 500 | 1752 | |
| | | 835 3500K - 85 | 505 | 1772 | |
| | | 840 4000K - 85 | 521 | 1819 | |
| | | 927 2700K - 90 | 390 | 1374 | |
| | | 930 3000K - 90 | 355 | 1243 | |

Example: **HR2LEDT409PF827BN**

DESCRIPTION

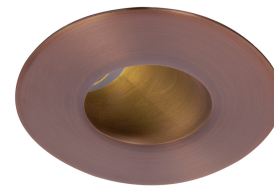
Tesla series is at the pinnacle of where lighting innovation meets energy-efficiency. A high-performance serviceable integrated LED with a state of the art light engine delivers incredible maintenance-free optics and performance ideal for high-end residential and commercial applications. With a wide variety of solid die-cast trims in a multitude of handsome plated or powder coated finishes, the Tesla collection is sure to enhance style and appeal in any space. Tesla PRO provides up to 60% higher lumen output over the standard Tesla collection for when more lighting is required such as in tall ceiling applications. The trim and LED engine are manufactured as a single unit with endless amounts of specifications including shape and finish of trim, adjustability, color temperature, and beam distribution to create the perfect combinations of form, factor, and function.

FEATURES

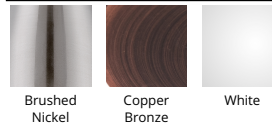
- 2" aperture
- 30° visual cutoff angle for glare control
- Adjustable fixtures are ideal for sloped ceiling applications
- 5 year warranty

SPECIFICATIONS

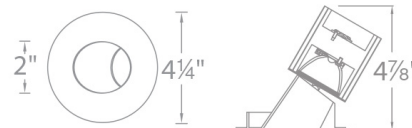
| | |
|---------------------------|--|
| Construction: | Die-cast aluminum construction |
| Power: | 14.5W |
| Input: | 120-277 VAC, 50/60Hz |
| Dimming: | ELV: 100-5%, 0-10V: 100-0% |
| Light Source: | Integrated LED |
| | 3 Step Mac Adam Ellipse |
| Rated Life: | 50000 Hours |
| Mounting: | Heavy gauge retention clips support trim firmly |
| Finish: | Electrostatically Powder Coated White, Electroplated Copper Bronze, Electroplated Brushed Nickel |
| Ceiling Thickness: | 1/2" - 3/4" |
| Operating Temp: | -4°F to 104°F (-20°C to 40°C) |
| Standards: | ETL, cETL, Damp Location Listed |



FINISHES



LINE DRAWING



Tesla Pro New Construction IC Airtight Housing

Fixture Type: _____

Catalog Number: _____

Project: _____

Location: _____

Model & Product

HR-2LED-H09D-ICA Tesla 2in LED IC-Rated New Construction Housing
 HR-2LED-H09D-ICAC Tesla 2in LED IC-Rated Chicago Plenum Rated New Construction Housing

Example: **HR-2LED-H09D-ICA**

DESCRIPTION

Tesla series is at the pinnacle of where lighting innovation meets energy-efficiency. A high-performance serviceable integrated LED with a state of the art light engine delivers incredible maintenance-free optics and performance ideal for high-end residential and commercial applications. With a wide variety of solid die-cast trims in a multitude of handsome plated or powder coated finishes, the Tesla collection is sure to enhance style and appeal in any space. Tesla PRO provides up to 60% higher lumen output over the standard Tesla collection for when more lighting is required such as in tall ceiling applications. The trim and LED engine are manufactured as a single unit with endless amounts of specifications including shape and finish of trim, adjustability, color temperature, and beam distribution to create the perfect combinations of form, factor, and function.

FEATURES

- Driver concealed within the fixture
- 5 year warranty

SPECIFICATIONS

| | |
|--------------------|---|
| Construction: | 20 gauge cold rolled steel |
| Power: | 14.5W |
| Input: | 120-277 VAC, 50/60Hz |
| Dimming: | ELV: 100-5%, 0-10V: 100-0% |
| Mounting: | Heavy gauge retention clips secures housing firmly to ceiling |
| Cut Out: | 3 7/8" |
| Finish: | Aluminum |
| Ceiling Thickness: | 1/2" - 3/4" |
| Operating Temp: | -4°F to 104°F (-20°C to 40°C) |
| Standards: | ETL, cETL, IC, Airtight |

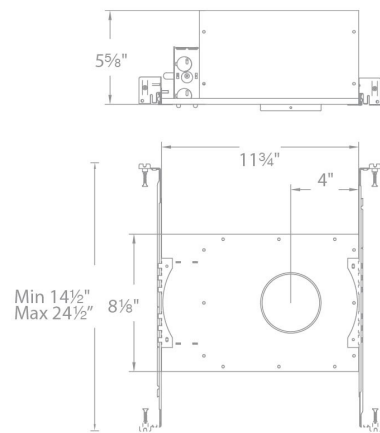


FINISHES



Aluminum

LINE DRAWING



Fixture Type: _____

Catalog Number: _____

Project: _____

Location: _____

Tesla Pro

Remodel Adjustable Housing

Model & Product

HR-2LED-R14D Tesla 2in LED Adjustable Remodel Housing

Example: **HR-2LED-R14D**

DESCRIPTION

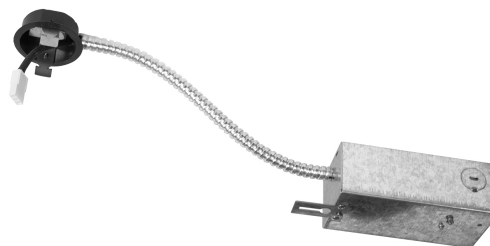
Tesla series is at the pinnacle of where lighting innovation meets energy-efficiency. A high-performance serviceable integrated LED with a state of the art light engine delivers incredible maintenance-free optics and performance ideal for high-end residential and commercial applications. With a wide variety of solid die-cast trims in a multitude of handsome plated or powder coated finishes, the Tesla collection is sure to enhance style and appeal in any space. Tesla PRO provides up to 60% higher lumen output over the standard Tesla collection for when more lighting is required such as in tall ceiling applications. The trim and LED engine are manufactured as a single unit with endless amounts of specifications including shape and finish of trim, adjustability, color temperature, and beam distribution to create the perfect combinations of form, factor, and function.

FEATURES

- Driver concealed within the fixture
- 5 year warranty

SPECIFICATIONS

| | |
|---------------------------|---|
| Construction: | 20 gauge cold rolled steel |
| Power: | 14.5W |
| Input: | 120-277 VAC, 50/60Hz |
| Dimming: | ELV: 100-5%, 0-10V: 100-0% |
| Mounting: | Heavy gauge retention clips secures housing firmly to ceiling |
| Cut Out: | 4 7/8" |
| Finish: | Aluminum |
| Ceiling Thickness: | 1/2" - 3/4" |
| Operating Temp: | -4°F to 104°F (-20°C to 40°C) |
| Standards: | ETL, cETL, Non IC |



FINISHES



Aluminum

LINE DRAWING

